



I

GB

F

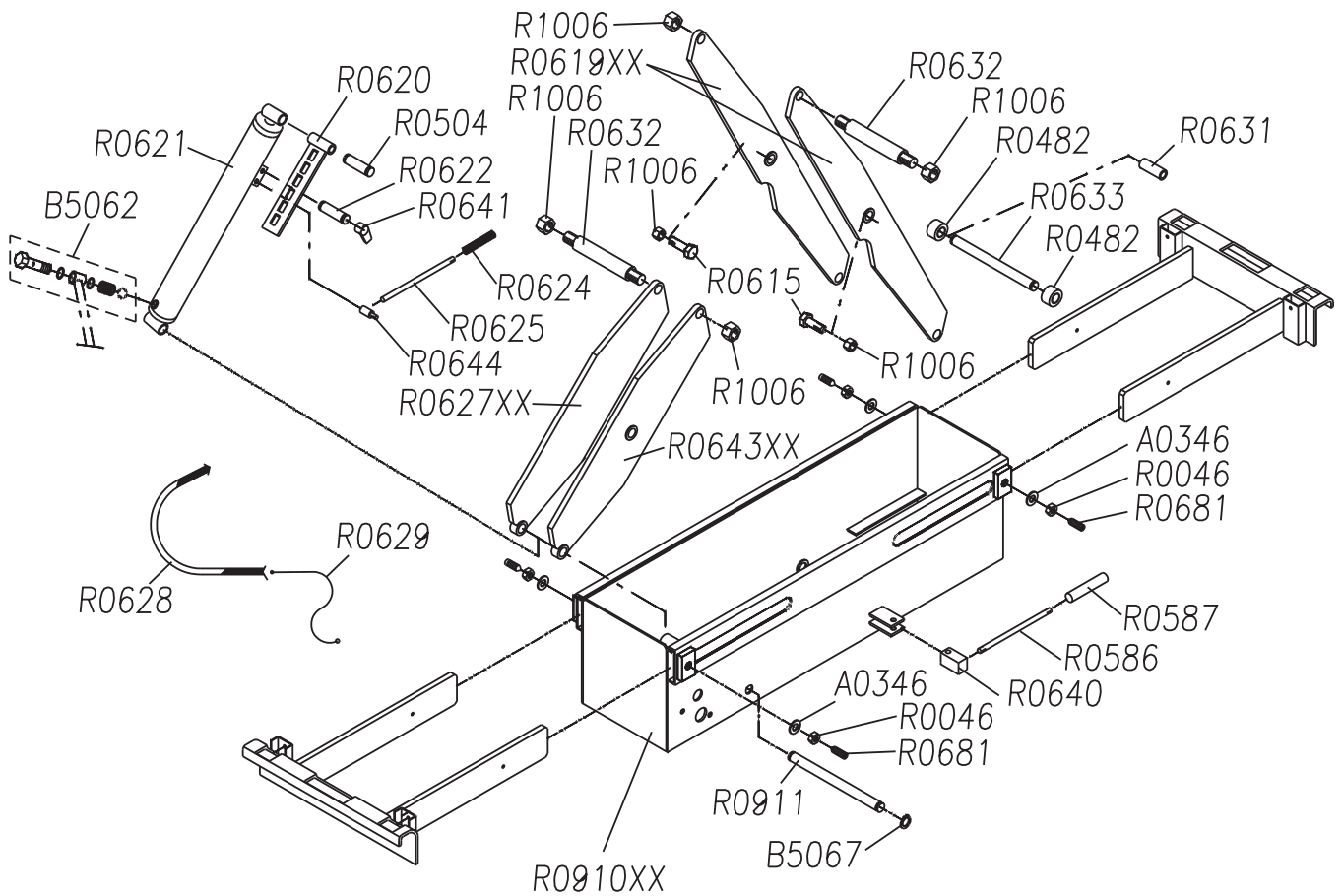
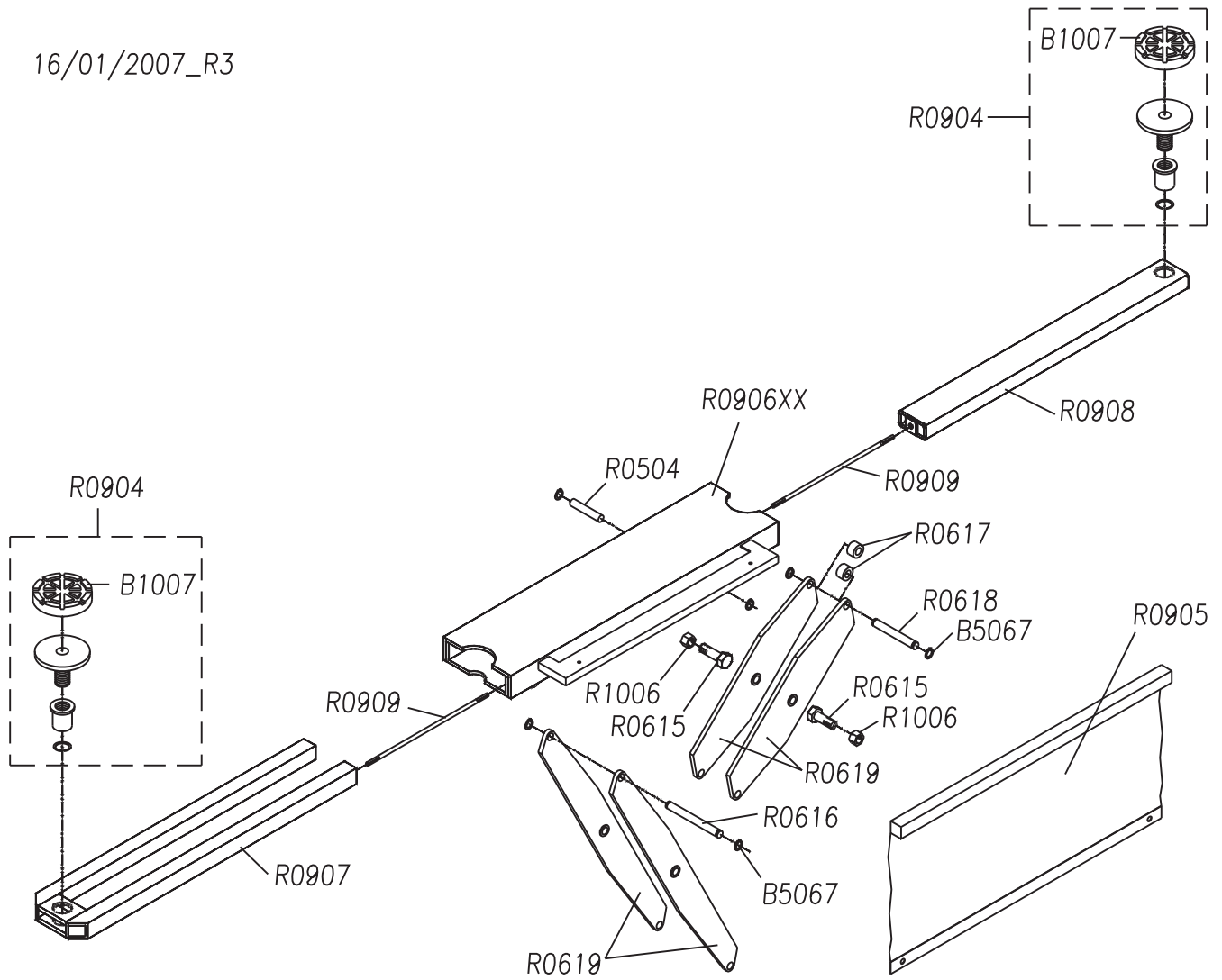
D

E

496/3M- 496/3P



**TRAVERSA IDRAULICA
HYDRAULIC JACKING BEAM
TRAVERSE HYDRAULIQUE
HYDRAULIKHEBER
TRAVESAÑO HIDRÁULICO**



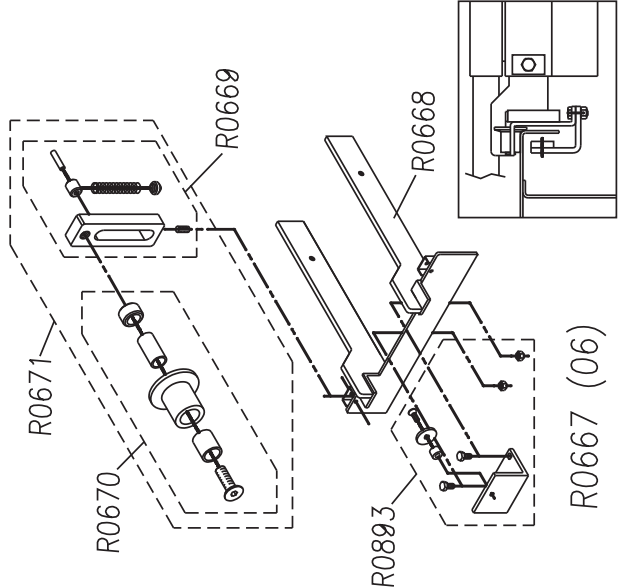
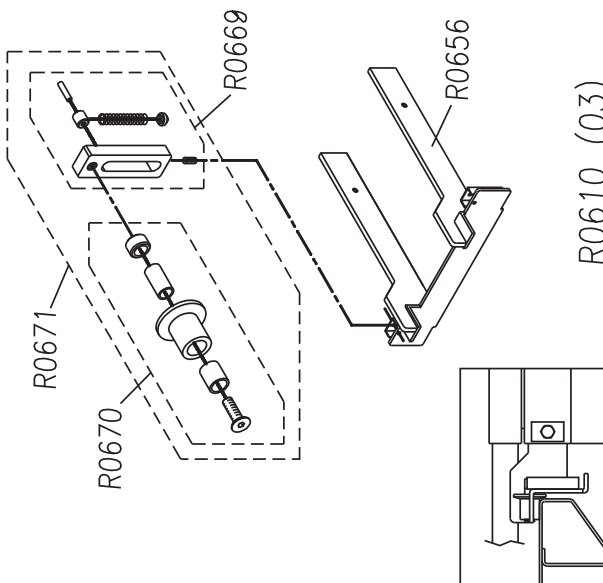
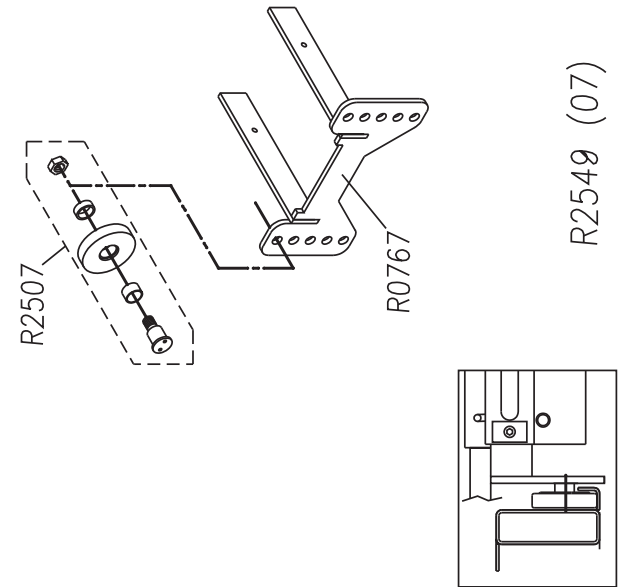
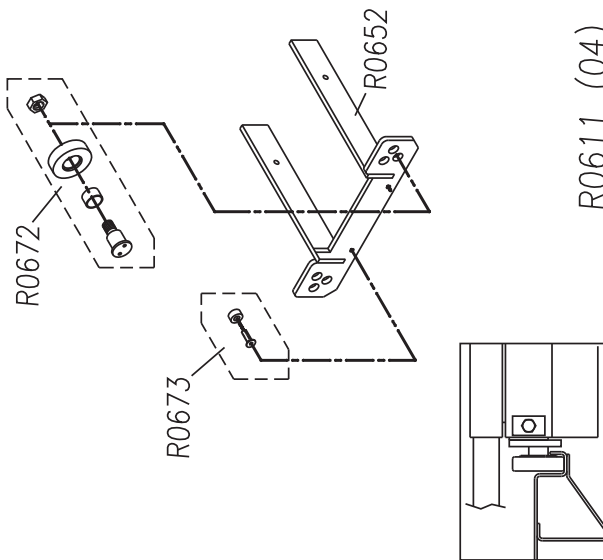
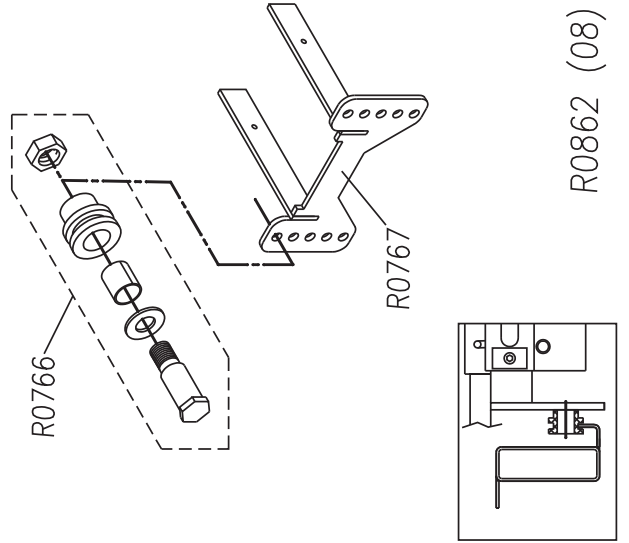
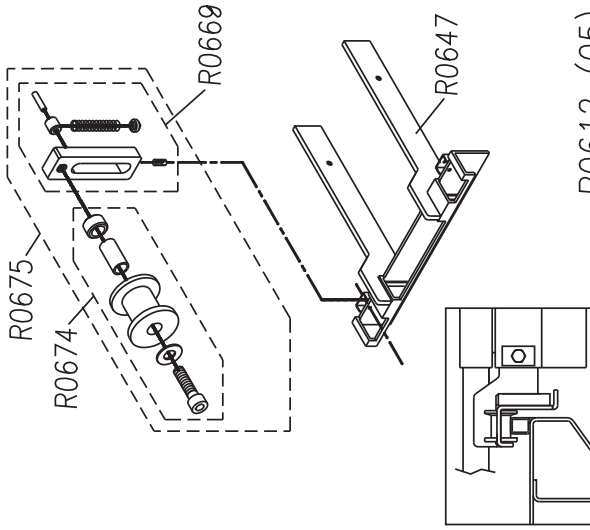
KIT ATTACCO STRUTTURA

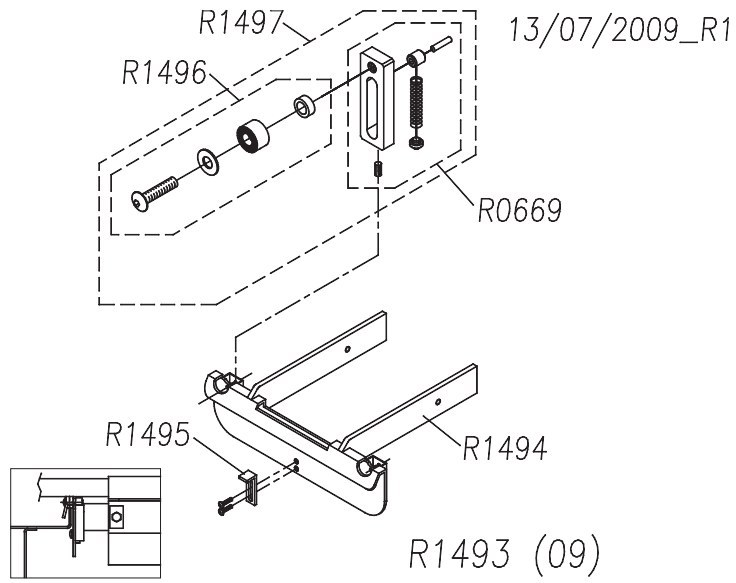
KIT CONNECTING STRUCTURE

STRUKTURANSCHLUSSSATZ

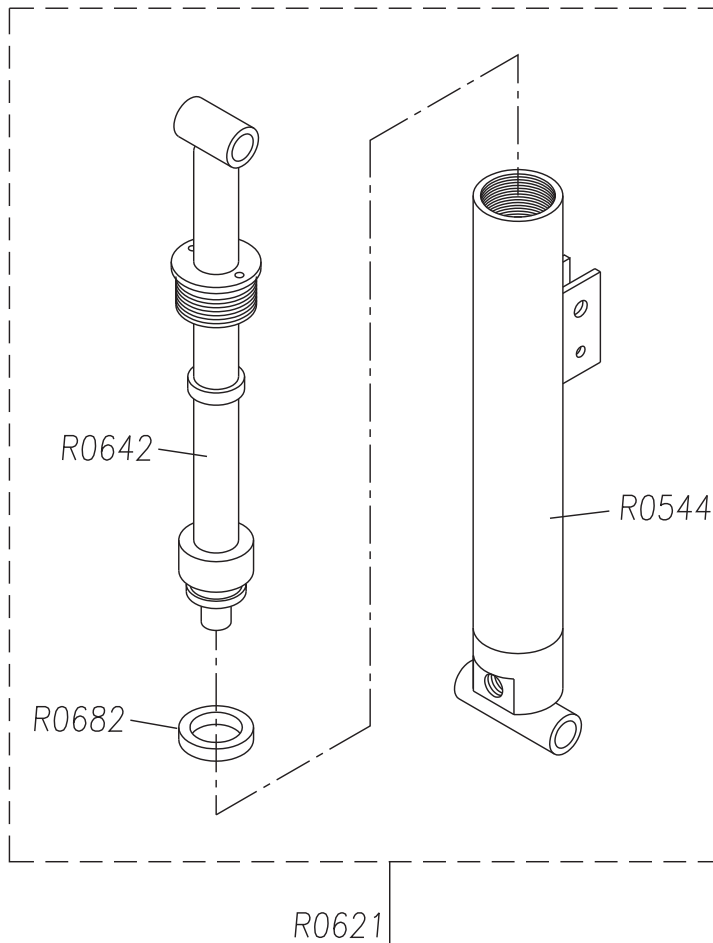
KIT FIXATION STRUCTURE

KIT CONEXIÓN ESTRUCTURA

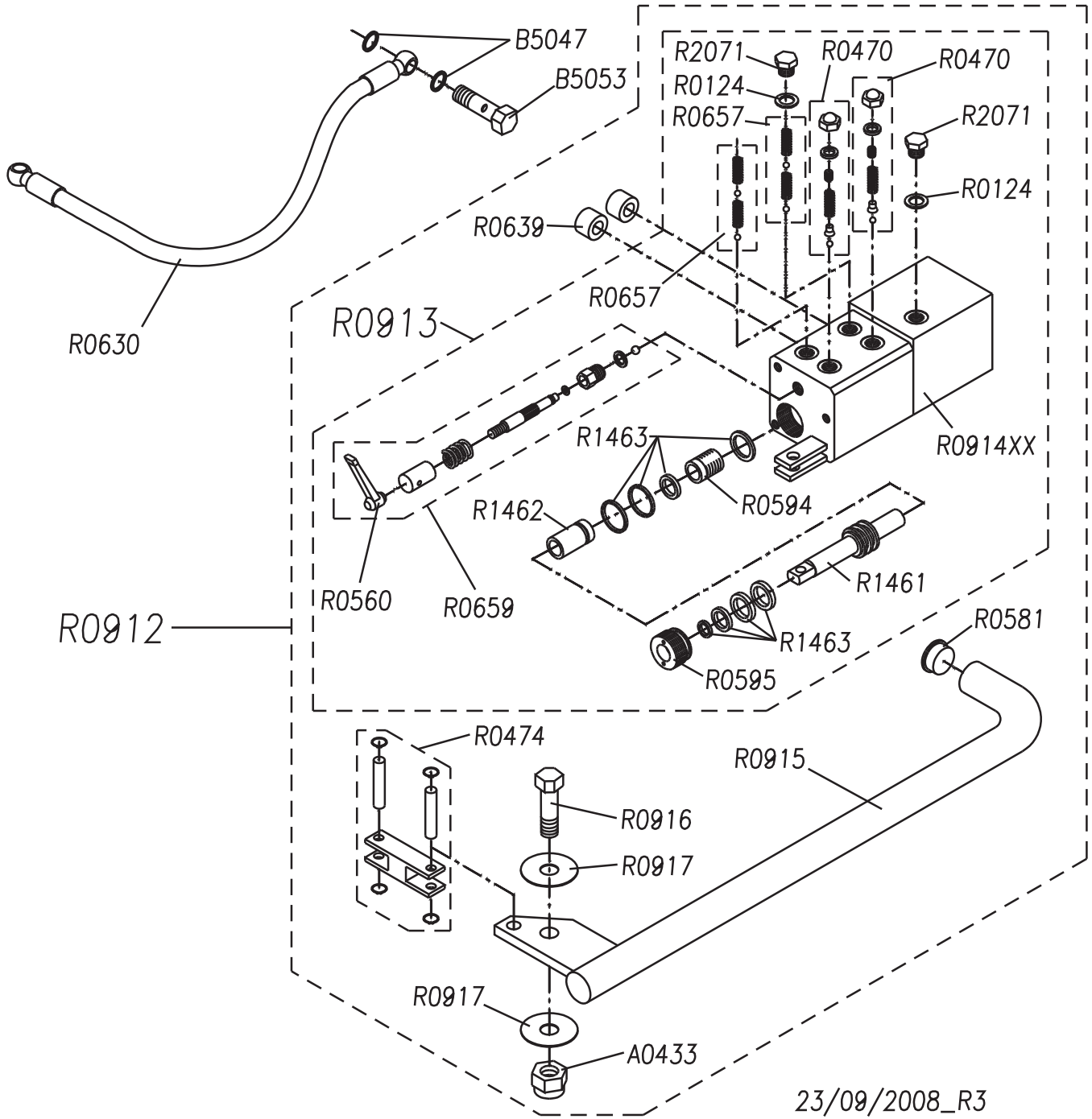




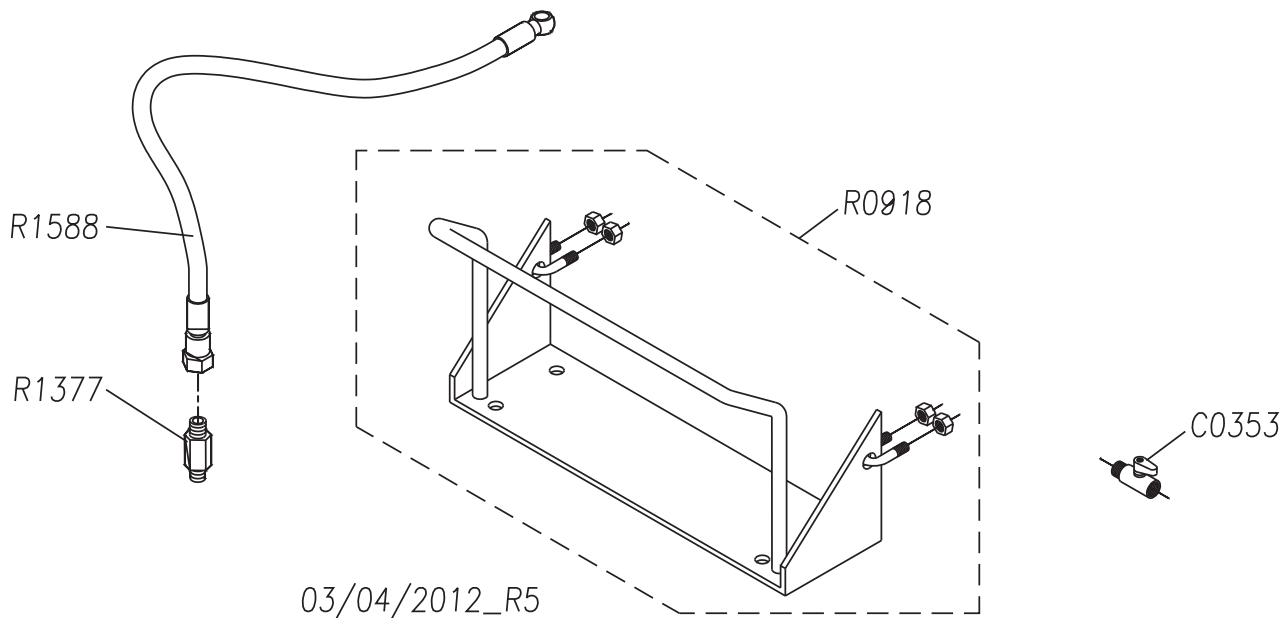
CILINDRO IDRAULICO	
HYDRAULIC CYLINDER	ZYLINDER
CYLINDRE	CILINDRO



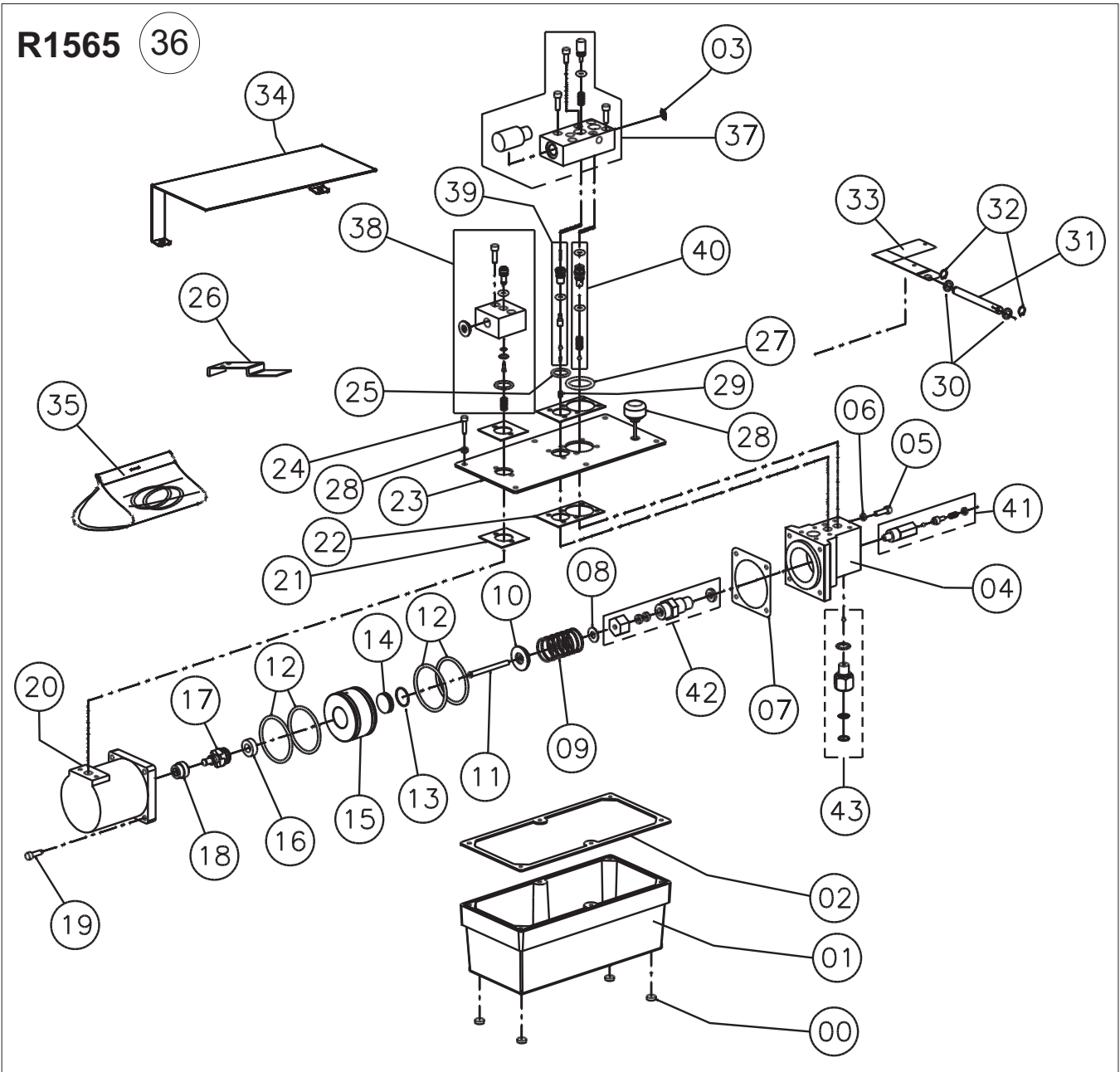
POMPA MANUALE	
MANUAL PUMP	PUMPE
POMPE	BOMBA



23/09/2008_R3



POMPA	
PUMP	PUMPE
POMPE	BOMBA



Part Code	Sugg	Descrizione	Description	Beschreibung	Description	Denominacion
A0346		RONDELLA Ø13 UNI 6592	WASHER Ø13 UNI 6592	SCHEIBE Ø13 UNI 6592	RONDELLE Ø13 UNI 6592	ARANDELA Ø13 UNI 6592
A0433		DADO AUTOBLOCCANTE M12 ZINCATO	SELF-LOCKING NUT M12	SELBSTSPERRENDEMUTTER M12	ECROU FREIN M12	TUERCA AUTOBLOQUEADORA M12 ZINCADA
B1007	*	DISCO GOMMA	RUBBER PAD	PLATTE	PLATEAU	DISCO
B5047	*	RONDELLA DI TENUTA CON GUARNIZIONE 1/4"	GASKET WITH 1/4" SEAL	DICHTUNGSUNTERLEGSCHIEBE MIT DICHTUMG 1/4"	RONDELLE D'ÉTANCHÉITÉ 1/4"	ARANDELA DE GIERRE CON GUARNICIÓN 1/4"
B5053	*	VITE FORATA 1/4	SCREW 1/4	SCHRAUBE 1/4"	BOUCHON RENIFLARD 1/4"	TORNILLO CON ORIFICIO 1/4"
B5062	*	KIT VALVOLA BLOCCA CILINDRO	CYLINDER SAFETY VALVE ASSEMBLY	ZYLINDERSPERRVENTIL	ENSEMBLE CLAPET PARACHUTE	KIT VÁLVULA DE BLOQUEO
B5067		SEEGER E20X2 UNI 7436	RETAINING RING E20X2 UNI 7436	SEEGER-RING E20X2 UNI 7436	BAGUES E20X2 UNI 7436	SEEGER E20X2 UNI 7436
C0062		RONDELLA Ø10,5X21 UNI 6592	WASHER Ø10,5X21 UNI 6592	SCHEIBE Ø10,5X21	RONDELLE Ø10,5X21	ARANDELA PLANA Ø10 5X21
C0353		RUBINETTO A SFERA M-F 1/4"	STRAIGHT OUTLET COCK M-F 1/4"	KUGELHAHN M-F 1/4"	ROBINET À SPHÈRE M-F 1/4"	LLAVE M-F 1/4"
R0046		DADO MEDIO M12 UNI 5588	NUT M12	MUTTER M12 UNI 5588	ECROU M12 UNI 5588	TUERCA M12 UNI 5588
R0124		RONDELLA RAME D 14X20X1,5	COPPER WASHER D 14X20X1,5	KUPFER-UNTERLEGSCHIEBE D 14X20X1,5	RONDELLE CUIVRE 14X20X1,5	ARANDELA D 14X20X1,5
R0470		KIT VALVOLA DI MASSIMA POMPA	SAFETY VALVE KIT	SET UEBERDRUCKVENTIL	ENSEMBLE VALVE DE SURPRESSION	KIT VÁLVULA DE MÁXIMA
R0474		KIT BIELLA POMPA+FLANGIA	FLANGE + CONNECTING MOD KIT	SET FLANSCH	ENSEMBLE FLASQUE	KIT BIELA BOMBA
R0482		RULLO INF.542 30X20X23,5 ZG	LOWER ROLL 30X20X23,5	UNTERE HUBROLLE 30X20X23,5	ROUE INFERIEUR 30X20X23,5	RODILLO INFERIOR 30X20X23,5
R0504		PERNO SUP. SNODO CILINDRO	UPPER CYLINDER JOINT PIN	OBERER ZYLINDER-LAGERBOLZEN	AXE SUP. ARTICULATION VERIN	PERNO
R0544		CILINDRO COMPL.	COMPLETE CYLINDER	ZYLINDER KOMPLETT	VEREIN COMPLÈTE	CILINDRO COMPLETO
R0560		MANIGLIA SPILLO	PIN HANDLE	HANDGRIFF	POIGNEE DESCENTE	ASA
R0581		TAPPO LEVA	LEVER PLUG	STÖPSEL	BOUCHON	TAMPÓN
R0586		PERNO X MANICO 496	HANDLE PIN	STIFT	AXE	PERNO
R0587		MANOPOLA MM70 TP FIL M10 496	KNOB MM70 TP FIL M10	DREHKNOPF	POIGNÉE	REDONDA
R0594		GHIERA POSTERIORE POMPANTE	RING NUT HEAD PUMPING ELEMENT	NUTMUTTE	BAGUE	VIROLA
R0595		GHIERA ANTERIORE POMPANTE	RING NUT FRONT PUMPING ELEMENT	NUTMUTTE	BAGUE	VIROLA
R0610		KIT ATTACCO STRUT.COMPL. .03	KIT CONNECTING STRUCTURE .03	STRUKTURANSCHLUSSBLECH SET .03	KIT FIXATION STRUCTURE .03	BASTIDOR DE ENGANCHE .03
R0611		KIT ATTACCO STRUT.COMPL. .04	KIT CONNECTING STRUCTURE .04	STRUKTURANSCHLUSSBLECH SET .04	KIT FIXATION STRUCTURE .04	BASTIDOR DE ENGANCHE .04
R0612		KIT ATTACCO STRUT.COMPL. .05	KIT CONNECTING STRUCTURE .05	STRUKTURANSCHLUSSBLECH SET .05	KIT FIXATION STRUCTURE .05	BASTIDOR DE ENGANCHE .05
R0615		PERNO UNIONE LEVE ZG	LEVERS UNION PIN	STIFT	AXE	PERNO
R0616		PERNO LEVA BUSS.TRAV.D.20X168	PIN LEVER BUSH CROSSBEAM	STIFT	AXE	PERNO
R0617		DISTANZ.LEVE SUP.	SPACER LEVERS UPPER CROSSBEAM	DISTANZSTÜCK	ENTRETOISE	DISTANCIADOR
R0618		PERNO SUP.TRAV.D.20X132	UPPER PIN CROSSBEAM	STIFT	AXE	PERNO
R0619XX		LEVA	LEVER	HEBEL	LEVIER	PALANCA
R0620		ASTA DI SICUREZZA	SECURITY ROD	SCHERHEITS-ZAHNSTANGE	POINTEAU	BARRA DE SEGURIDAD

R0621		CILINDRO IDR.	HYDRAULIC CYLINDER	ZYLINDER	VÉRIN	CILINDRO
R0622		PERNO ZEPPA D.20X77	PIN WEDGE D.20X77	STIFT	AXE	PERNO
R0624		MOLLA TASTA FUNE	SQUASHED ROPE SPRING	FEDER	MANCHON	MUELLA
R0625		PERNO GUIDA MOLLA ZEPPA	SPRING WEDGE PIN	STIFT	AXE	PERNO
R0627XX		LEVA INF.INTERNA SX	LOWER INSIDE LEFT LEVER	HEBEL	LEVIER	PALANCA
R0628		GUAINA L=850 CAVO 1,5	SHEAT L=850 CABLE 1,5	ÜBERZUG	GAINÉ	MANGUERA
R0629		TIRANTE CON CAVO D1,5 L=1000	ROD+CABLE D1,5 L=1000	STANGE	TIRANT	TIRANTE
R0630		TUBO FLESS.	FLEX HOSE	WASSERSCHLAUCH	FLEXIBLE HAUTE	TUBO
R0631		DISTANZ.LEVE INF.L=124	SPACER LOWER LEVER L=124	DISTANZSTÜCK	ENTRETOISE	DISTANCIADOR
R0632		PERNO UNION.LEVA E24X200	UNION PIN FOR ROLL E24X200	STIFT	AXE	PERNO
R0633		PERNO INF.RULLI D.20X202	LOWER PIN FOR ROLL D.20X202	STIFT	AXE	PERNO
R0639		DISTANZ.PULEGGIA D.50	SPACER PULLEY D.50	DISTANZSTÜCK	ENTRETOISE	DISTANCIADOR
R0640		LEVA APERTURA ZEPPA	LEVER OPENING WEDGE	HEBEL	LEVIER	PALANCA
R0641		ZEPPA DI SICUREZZA	SECURITY WEDGE	SICHERHEITSKEIL	SECURITÉ	CUÑA DE SEGURIDADE
R0642		PISTONE IDR.	HYDRAULIC PISTON	KOLBEN	PISTON	PISTÓN
R0643XX		LEVA INF.INTERNA DX	LOWER INSIDE RIGHT LEVER	HEBEL	LEVIER	PALANCA
R0644		PERNO CERN.ASTA X MOLLA ZEPPA	PIN FOR SPRING WEDGE	BEFESTIGUNGSBOLZEN	TIGE CHARNIERES	PASADOR BISAGRA
R0647		APPOGGIO SCORREVOLE .05	SLIDING SUPPORT	VERSCHIEBBARE HALTERUNG	APPUI COULISSANT	APOYO DESLIZABLE
R0652		APPOGGIO SCORREVOLE .04	SLIDING SUPPORT	VERSCHIEBBARE HALTERUNG	APPUI COULISSANT	APOYO DESLIZABLE
R0656		APPOGGIO SCORREVOLE .03	SLIDING SUPPORT	VERSCHIEBBARE HALTERUNG	APPUI COULISSANT	APOYO DESLIZABLE
R0657		VALVOLA ASPIR.COMPRESSI.	SUCTION VALVE	VENTIL	SOUPAPE	VÁLVULA
R0659		VALVOLA SCAR.	DISCHARGE VALVE	VENTIL	SOUPAPE	VALVULA
R0667		KIT ATTACCO STRUT.COMPL. .06	KIT CONNECTING STRUCTURE .06	STRUKTURANSCHLUSSBLECH SET .06	KIT FIXATION STRUCTURE .06	BASTIDOR DE ENGANCHE .06
R0668		APPOGGIO SCORREVOLE .06	SLIDING SUPPORT	VERSCHIEBBARE HALTERUNG	APPUI COULISSANT	APOYO DESLIZABLE
R0669		KIT PIATTO SCORRIM. .03 - .05 - .06	GUIDING PAD ASSY	GLEITPLATTENSATZ 401.3.5.6	KIT PLAQUE COULISSEMENT 401.3.5.6	KIT PLANO DESLIZAMIENTO 496.6
R0670		KIT RULLO .3 - .6	WHEEL KIT .03 - .06	KIT FESTES .6	KIT ROUE .6	KIT RODILLO 401.3.6
R0671		KIT RULLO+SUPPORTO .03 - .06	ROLLER+SUPPORT ASSY	SATZ ROLLE + HALTERUNG 401.3.6	KIT ROUE + SUPPORT 401.3.6	KIT RODILLO + SOPORTE 401.3.6
R0672		KIT RULLO .04	WHEEL KIT .04	KIT FESTES .4	KIT ROUE .4	KIT RODILLO 401.4
R0673		KIT PATTINO LATERALE .4	LATERALL PAD ASSY	SATZ SEITLICHER GLEITSCHUH 401.4	KIT PATIN LATERAL 401.4	KIT PATÍN LATERAL 401.4
R0674		KIT RULLO .05	WHEEL KIT .05	KIT FESTES .5	KIT ROUE .5	KIT RODILLO 401.5
R0675		KIT RULLO+SUPPORTO .05	ROLLER+SUPPORT ASSY	SATZ ROLLE + HALTERUNG 401.5	KIT ROUE + SUPPORT 401.5	KIT RODILLO + SOPORTE 401.5
R0681		GRANO M12X30 UNI 5927 ZB	SCREW	STIFT	GRAIN	GRANO
R0682	*	GUARNIZIONE RSE 50 35	GASKET RSE 50 35	DICHTUNG O'RING RSE 50 35	ANNEAU DE ÉTANCHÉITE RSE 50 35	ARO DE SELLADO RSE 50 35
R0766		KIT RULLO .08	WHEEL KIT .08	KIT FESTES .8	KIT ROUE .8	KIT RODILLO .8
R0767		APPOGGIO SCORREVOLE .07-.08	SLIDING SUPPORT	VERSCHIEBBARE HALTERUNG	APPUI COULISSANT	APOYO DESLIZABLE
R0862		KIT ATTACCO STRUT.COMPL. .08	KIT CONNECTING STRUCTURE .08	STRUKTURANSCHLUSSBLECH SET 08	KIT FIXATION STRUCTURE .08	KIT BASTIDOR DE ENGANCHE .08

R0893		KIT PATTINO LATERALE .06	LATERALL PAD ASSY	KIT SEITLICHER GLEITSCHUH .06	KIT PATIN LATÉRAL .06	KIT PATÍN LATERAL .06
R0904		KIT PIATTELLO REGISTRABILE	KIT PAD	AUFNAHMETELLER	KIT PLATEAU	KIT PLATILLO
R0905		TENDINE PROTEZIONE	PROTECTION	SCHUTZ	PROTECTION	PROTECCIÓN
R0906XX		TRAVERSA MOBILE	CROSSBEAM			
R0907		PROLUNGA LATERALE	EXTENSION LEVER	HEBEL,AUSSEN ZECHTS	BRAS EXTERIEUR DROIT	DISTANCIADOR
R0908		PROLUNGA CENTRALE	CENTRAL EXTENSION	HEBEL,AUSSEN HNKS	BRAS EXTERIEUR GAUCHE	DISTANCIADOR
R0909		TIRANTE	ROD	STANGE	TIRANT	TIRANTE
R0910XX		SCATOLA	BOX	GEHÄUSE	BOITE	CAJA
R0911		PERNO CILINDRO TELAIO D.20X229	CYLINDER FRAME PIN	STIFT	AXE	PERNO
R0912		KIT POMPA MANUALE CON LEVA	KIT MANUAL PUMP WITH LEVER	PUMPE MIT DREHKNOPF	KIT POMPE MANUELLE AVEC LEVIER	KIT BOMBA MANUAL
R0913		KIT POMPA MANUALE 496/3	KIT MANUAL PUMP	PUMPE MIT DREHKNOPF	KIT POMPE MANUELLE	KIT BOMBA MANUAL
R0914		CORPO POMPA 496/3	PUMP BODY	PUMPENKÖRPER	CORPS DE POMPE	CUERPO BOMBA
R0915		MANICO POMPANTE	PUMP HANDLE	PUMPENDREHKNOPF	LEVIER DE CYLINDER-POMPE	ASA BOMBEADOR
R0916		VITE MANICO POMPA	PUMP HANDLE SCREW	VENTILFEDER SCHRAUBE	VIS RESSORT POMPE	TORNILLO MUELLE VÁLVULA
R0917		RONDELLA MANICO POMPA	WASHER	SCHEIBE	RONDELLE	ARANDELA
R0918		KIT SUPPORTO POMPA PNEUMATICA	PUMP HOLDER		KIT SUPPORT POMPE	KIT SOPORTE BOMBA
R1006		DADOBK M20X1.5 UNI 7474 ZB	SELF-LOCKING NUT M20X1.5 UNI 7474 ZB	MUTTER M20X1.5 UNI 7474	ÉCROU AUTOBLOQUANT M20X1.5 UNI 7474 ZB	TUERCA M20X1.5 UNI 7474
R1377		VALVOLA CONTROLLO DISCESA	LOWERING CONTROL VALVE	SENKVENTIL	CLAPET CONTROLE DESCENTE	VÁLVULA
R1461		POMPANTE 11/2002	DE PUMPING ELEMENT	STEMPEL DE	ELÉMENT POMPANT DE	MANDO DE BOMBEO
R1462		CILINDRO POMPANTE 11/2002	CYLINDER PUMPING ELEMENT	ZYLINDER	VÉRIN	CILINDRO
R1463	*	KIT GUARNIZIONI POMPA MANUALE 11/2002	GASKETS KIT FOR MANUAL PUMP	DICHTUNGSSATZ	JEU DE JOINTS	JUEGO DE JUNTAS
R1493		KIT ATTACCO STRUT.COMPL. .09	KIT CONNECTING STRUCTURE .09	STRUKTURANSCHLUSSBLECH SET .09	KIT FIXATION STRUCTURE .09	BASTIDOR DE ENGANCHE .09
R1494		SUPPORTO APPOGGIO .09	SUPPORT FOR SLIDING PLATE .09	HALTERUNG NUR VESCHIEBBARE .09	SUPPORT POUR APPUI COULISSANT .09	AYUDA POR APOYO .09
R1495		STAFFA SICUREZZA APPOGGIO .09	BRACKET SUPPORT .09	BUGEL FUR HALTERUNG .09	CHAPE POUR APPUI .09	APOYO DESLIZABLE .09
R1496		KIT RULLO .07	WHEEL KIT .07	KIT FESTES .7	KIT ROUE .7	KIT RODILLO .7
R1497		KIT RULLO+SUPPORTO .03 - .06	ROLLER+SUPPORT ASSY	SATZ ROLLE + HALTERUNG 401.3.6	KIT ROUE + SUPPORT 401.3.6	KIT RODILLO + SOPORTE 401.3.6
R1588		TUBO PER POMPA PNEUMATICA	PIPE	SCHLAUCH	TUYAU	TUBO
R2071		TAPPO TE 1/4	BLIND PLUG TE 1/4	STOPSEL TE 1/4	BOUCHON AVEUGLE TE 1/4	TAPÓN TE 1/4
R2507		KIT RULLO .07	WHEEL KIT .07	KIT FESTES .7	KIT ROUE .7	KIT RODILLO .7
R2549		KIT ATTACCO STRUT.COMPL. .07	KIT CONNECTING STRUCTURE .07	STRUKTURANSCHLUSSBLECH SET .07	KIT FIXATION STRUCTURE .07	KIT BASTIDOR DE ENGANCHE .07
Z_RICAMBI		* = RICAMBI CONSIGLIATI	* = RECOMMENDED SPARE PARTS	* = EMPFOHLENE E-TEILE	* = PIECES DE RECHANGE CONSEILLEES	* = REPUESTOS ACONSEJAIOS

POS.	COD.	DESCRIZIONE	DESCRIPTION
00	R1903	Piedino 11A.01	Small Foot
01	E0004	Vaschetta in plastica 70.01P	Tank
02	E0005	Guarnizione 6S.12	Packing
03	12A.01	Filtro	Filter
04	70.04A	Corpo pomp	Body pump
05	1C.16	Vite	Screw
06	3C.01	Rondella in rame	Rove
07	6M.03	Guarnizione in carta	Packing in paper
08	6S.02	Guarnizione	Packing
09	R1769	Molla 70.14.00	Spring
10	70.07K1/K2/K3	Scodellino (700/500/300 bar)	Casing cup (700/500 bar)
11	70.08K1/K2/K3	Pompante (700/500/300 bar)	Plunger (700/500/300 bar)
12	6R.01	Guarnizione	Packing
13	6A.06	Guarnizione	Packing
14	70.22.00	Tappo chiusura pistone	Plug
15	70.09.00	Pistone	Ram
16	6O.01	Guarnizione	Packing
17	70.10.00	Pistoncino invertitore	Reverser piston
18	6S.06	Guarnizione invertitore	Reverser packing
19	1C.20	Vite	Screw
20	70.12.00	Cilindro	Ram
21	6M.01	Guarnizione in carta	Packing in paper
22	6M.02	Guarnizione in carta	Packing in paper
23	7017C	Coperchio vaschetta	Cover tank
24	1B.01	Vite	Screw
25	6A.18	Guarnizione	Packing
26	R1568	Pedale scarico	Unloading pedal
27	6A.20	Guarnizione	Packing
28	8A.05	Tappo con asta	Plug with rod
29	70.26.00	Molla	Spring
30	3H.01	Molla a tazza	Spring
31	70.28.00	Perno pedale	Pedal pin
32	4C.01	Anello benzina	Ring benzina
33	70.27.00	Pedale	Pedal
34	R1569	Carter	Casing
35	R1567	Kit guarnizioni KIT70.700	Gaskets kit
36	R1565	Pompa pneumatica 350 bar	Pneumatic pump 350 bar
37	R1904	Blocchetto olio HPB completo 70.25C	Complete HPB oil block
38	R1905	Blocchetto aria completo 70.21C	Complete air block
39	R1906	Astuccio scarico completo 70.18C	Complete unloaded casing
40	R1907	Astuccio valvola non ritorno completo 70.31C	Complete casing for no return valve
41	R1908	Valvola max. pressione completa 70.61C	Complete max. pressure valve
42	R1909	Porta pompante completo da 6,3 70.05P1C	Complete plunger casing 6,3
43	R1910	Filtro aspirazione HPB completo 70.03C	Complete HPB filter